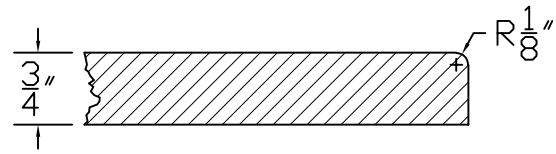
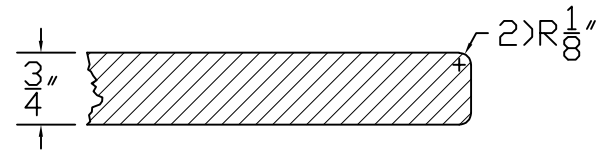


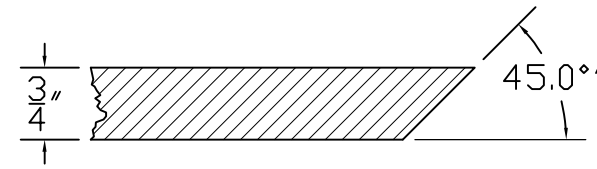
3/4" POLISHED EDGE



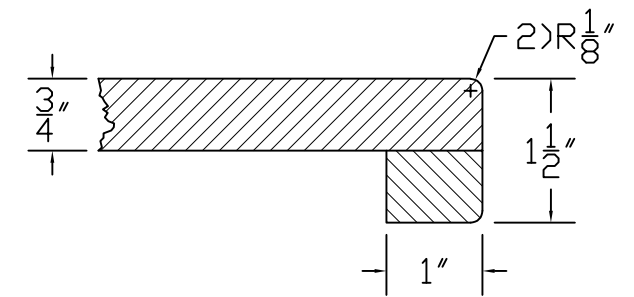
3/4" SINGLE EASED EDGE



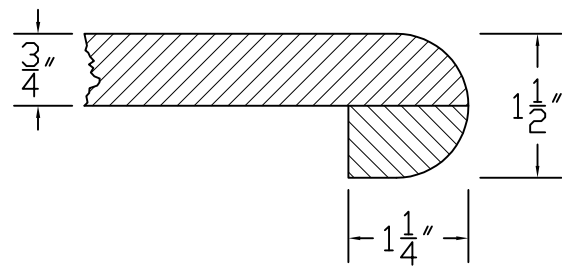
45° MITER JOINT CUT



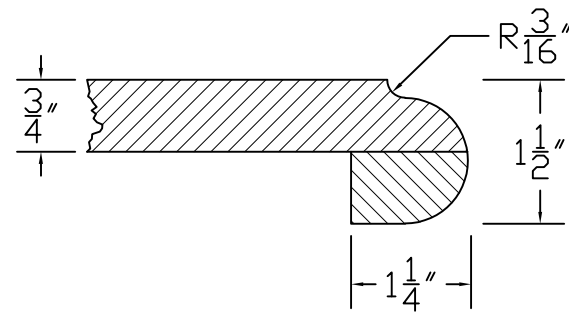
1-1/2" DOUBLE EASED EDGE



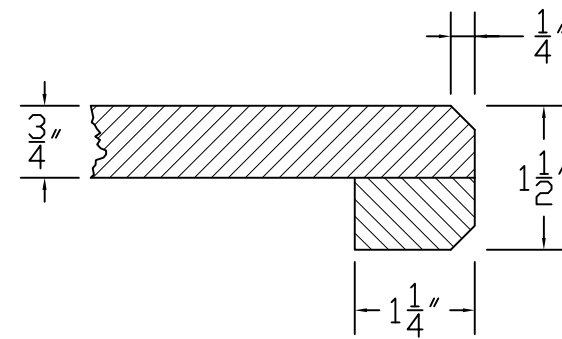
1-1/2" DOUBLE BULLNOSE EDGE



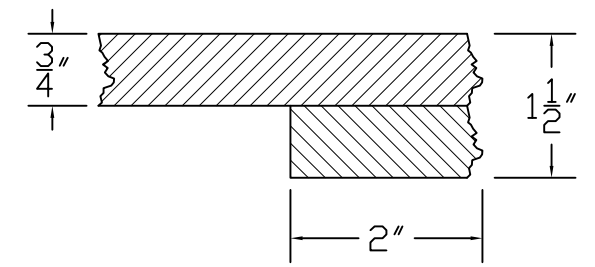
1-1/2" DOUBLE OGEE EDGE



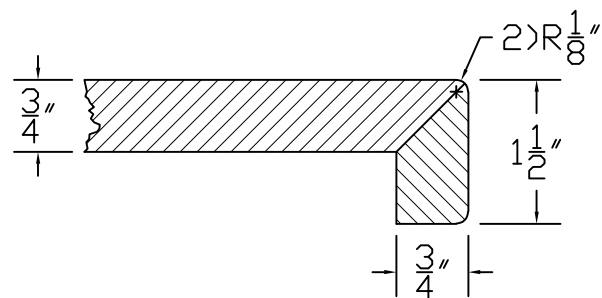
1-1/2" BEVEL EDGE



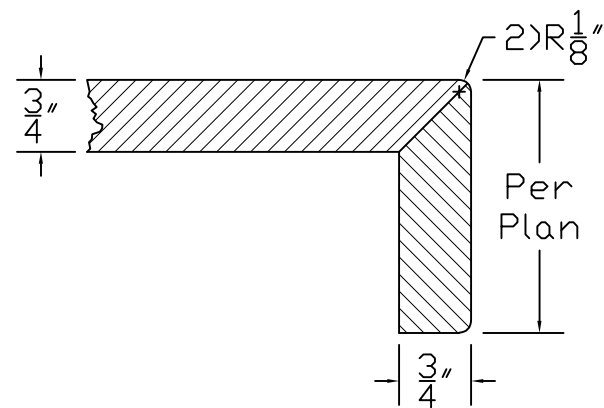
1-1/2" CHISELED EDGE



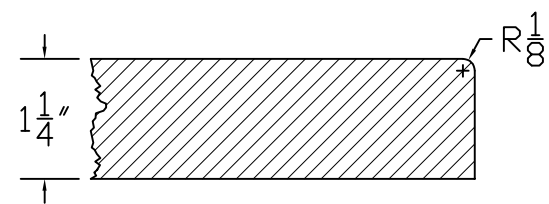
1-1/2" MITER EDGE



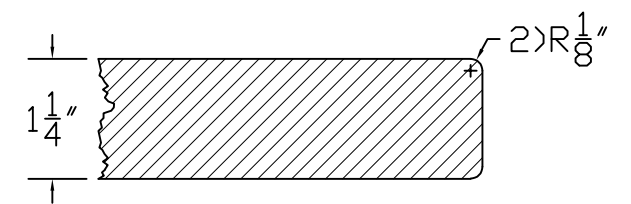
45° APRON EDGE



1-1/4" POLISHED EDGE (3CM)



1-1/4" EASED EDGE (3CM)



**Fermol**

7431 Lampson Ave. Garden Grove, CA 92841  
Tel: 714-379-0956 Fax: 866-528-8028  
www.fermolinc.com

Project:

**Fermol Available Edge Profiles**

Material:

-

Edge Details:

Plan Type:

**Edge Detail**

Scale:

6" = 1' - 0"

Drawn By:

A.Yu

Date:

Page:

01